



MASON INDUSTRIES, Inc.

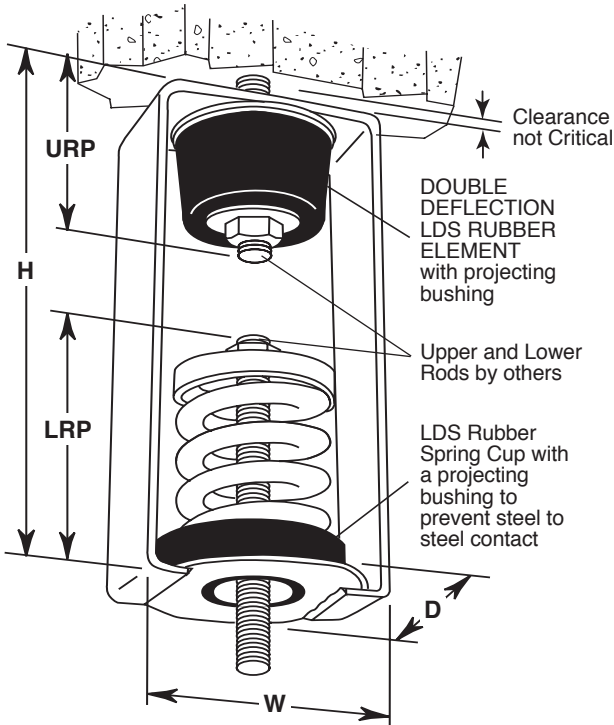
Manufacturers of Vibration Control Products

350 Rabro Drive 2101 W. Crescent Ave., Suite D
 Hauppauge, NY 11788 Anaheim, CA 92801
 631/348-0282 714/535-2727
 FAX 631/348-0279 FAX 714/535-5738
 Info@Mason-Ind.com Info@MasonAnaheim.com
 www.Mason-Ind.com

JOB NAME _____
 CUSTOMER _____
 CUSTOMER P.O. _____
 MASON M. _____
 DWG No. _____

DNHS

1" 25mm Deflection
 X & A Series
 Spring Hangers



LDS stands for Low Dynamic Stiffness AASHTO Bridge Bearing Natural Rubber to minimize noise and vibration transmission. Maximum Dynamic Stiffness is 1.4.

AASHTO BRIDGE BEARING NATURAL RUBBER SPECIFICATIONS

ORIGINAL PHYSICAL PROPERTIES	TESTED FOR AGING			COMPRESSION SET	LONG TERM CREEP
	OVEN AGING(70hrs/158°F)				
Tests: ASTM D-2240 & D-412	ASTM D-573			ASTM D-1149	ASTM D-395
Duro-meter Strength at Break	Tensile Strength at Break	Elongat. (min)	Hard-ness (max)	Tensile Strength at Break	Elongat. (max)
60±5	2250 psi	400%	+10%	25 pphm in air by Vol. 20% Strain 100°F	22hrs/158°F Method B
				No Cracks	168hrs
				25%(max)	5%(max)

TYPE DNHS RATINGS

Type and Size	Rated Capacity (lbs) (kg)	Rated Deflection† (in) (mm)	Spring Constant†† (lbs/in) (kg/mm)	Avg. Defl. LDS Rubber (in) (mm)	Spring Color
DNHS-X-12	12 5	1.45 37	10 0.18	0.20 5.1	Orange
DNHS-X-23	23 10	1.50 33	18 0.30		Brown
DNHS-X-33	33 15	1.30 28	30 0.54		Red
DNHS-X-54	54 24	1.40 31	45 0.80		White
DNHS-X-76	76 34	1.22 31	73 1.36		Black
DNHS-X-113	113 51	1.20 30	113 2.04		Yellow
DNHS-X-130	130 59	1.20 30	130 2.36		Purple
DNHS-X-175	175 79	1.20 30	175 3.16	Silver	
DNHS-X-210	210 95	1.20 30	210 3.80	Blue	
DNHS-A-12	12 5	1.35 34	12 0.20	0.35 8.9	Red
DNHS-A-18	18 8	1.35 34	18 0.32		Gray
DNHS-A-25	25 11	1.35 34	25 0.44		Orange
DNHS-A-41	41 19	1.53 39	35 0.63		Pink
DNHS-A-56	56 25	1.49 36	49 0.83		Black
DNHS-A-73	73 33	1.41 35	69 1.22		Tan
DNHS-A-95	95 43	1.36 50	94 1.65		Green
DNHS-A-45	45 20	1.95 50	28 0.49	0.35 8.9	Blue
DNHS-A-75	75 34	1.85 47	50 0.89		Orange
DNHS-A-125	125 57	1.68 43	94 1.68		Brown
DNHS-A-200	200 91	1.50 38	174 3.14		Black
DNHS-A-310	310 141	1.35 34	310 5.64		Yellow
DNHS-A-400	400 182	1.35 34	400 7.24		Green
DNHS-A-510	510 232	1.35 34	510 9.24		Red
DNHS-A-625	625 284	1.35 34	625 11.32	White	

TYPE DNHS DIMENSIONS

Size Range	D		H		W		LRP		URP		MRD
	(in)	(mm)	(in)	(mm)	(in)	(mm)	(in)	(mm)	(in)	(mm)	(in)
X-12-210	21/2	64	51/2	140	27/8	73	31/4	83	13/4	44	3/8 10
A-12-25	23/4	70	63/4	171	31/4	83	31/2	89	21/4	57	5/8 16
A-45-125	23/4	70	63/4	171	31/4	83	4	102	21/4	57	5/8 16
A-200-625	23/4	70	63/4	171	31/4	83	4	102	21/4	57	5/8 16

All springs have additional travel to solid equal to 50% of the Rated Deflection. Hanger elements have straight line deflection curves.

LRP - Lower Rod Penetration
 URP - Upper Rod Penetration
 MRD - Maximum Rod Diameter

PLAN VIEW OF HANGER LOCATIONS

TAG: _____
 UNIT: _____



SPECIFIED DEFLECTION

1:	6:
2:	7:
3:	8:
4:	9:
5:	10:
Sets Required:	



MASON INDUSTRIES, Inc.

Manufacturers of Vibration Control Products

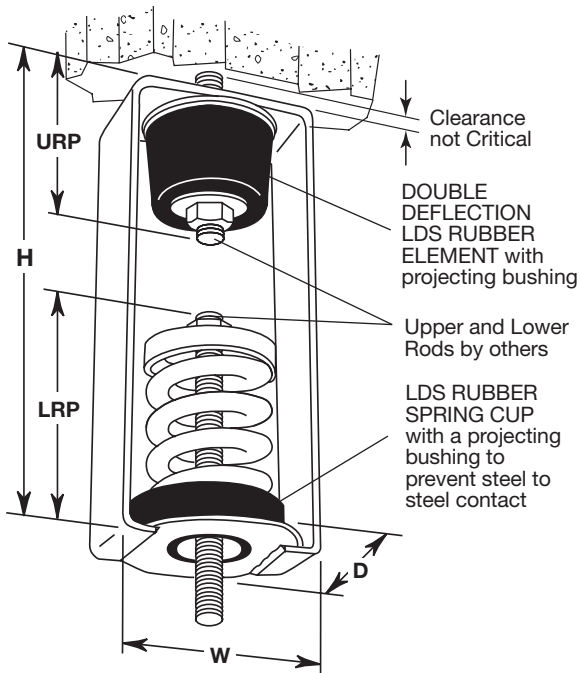
350 Rabro Drive Hauppauge, NY 11788
 631/348-0282 FAX 631/348-0279
 Info@Mason-Ind.com www.Mason-Ind.com

2101 W. Crescent Ave., Suite D Anaheim, CA 92801
 714/535-2727 FAX 714/535-5738
 Info@MasonAnaheim.com

JOB NAME _____
 CUSTOMER _____
 CUSTOMER P.O. _____
 MASON M. _____
 DWG No. _____

DNHS

1" 25mm Deflection
 A, B, 1, 2 & 4 Spring
 Series Hangers



LRP - Lower Rod Penetration
 URP - Upper Rod Penetration
 MRD - Maximum Rod Diameter

LDS stands for **Low Dynamic Stiffness** AASHTO Bridge Bearing Natural Rubber to minimize noise and vibration transmission. Maximum Dynamic Stiffness is 1.4.

All springs have additional travel to solid equal to 50% of the Rated Deflection. Hanger elements have straight line deflection curves.

TYPE DNHS DIMENSIONS

Size Range	D - Depth (in) (mm)	H - Height (in) (mm)	W - Width (in) (mm)	LRP (in) (mm)	URP (in) (mm)	MRD (in) (mm)
DNHS-A-45-625	23/4 70	63/4 121	31/4 83	4 102	21/4 57	5/8 16
DNHS-B-65-1000	4 102	9 229	43/4 121	4 1/4 108	3 76	3/4 19
DNHS-1-1000-2935	4 102	11 279	51/4 133	5 127	31/4 83	7/8 22
DNHS-2-2700-4200	9 229	12 305	51/4 133	7 178	33/4 95	1 25
DNHS-4-54020-11740	7 178	15 381	87/8 225	7 178	6 152	11/4 32

† includes double deflection LDS Rubber element.
 †† applies to spring only.
 * with Red inner Spring.
 ** with Green inner Spring.

AASHTO BRIDGE BEARING NATURAL RUBBER SPECIFICATIONS

ORIGINAL PHYSICAL PROPERTIES	TESTED FOR AGING			COMPRES-SION SET	LONG TERM CREEP
	OVEN AGING(70hrs/158°F)	OZONE			
Tests: ASTM D-2240 & D-412	ASTM D-573		ASTM D-1149	ASTM D-395	ISO8013
Duro- meter	Hard- ness	Tensile Strength at Break	25 pphm in air by Vol. 20% Strain 100°F	22hrs/158°F Method B	168hrs
Shore A	(min)	(min)	(max)	(max)	5% (max)
60±5	2250 psi	400%	+10%	-25%	-25%
			No Cracks	25% (max)	5% (max)

TYPE DNHS RATINGS

Size	Rated Capacity (lbs) (kg)	Rated Deflection† (in) (mm)	Spring Constant†† (lbs/in) (kg/mm)	Avg LDS Deflection (in) (mm)	Spring Color/ Stripe
DNHS-A-45	45 20	1.95 50	28 0.49	0.35 9	Blue
DNHS-A-75	75 34	1.85 47	50 0.89		Orange
DNHS-A-125	125 57	1.68 43	94 1.68		Brown
DNHS-A-200	200 91	1.50 38	174 3.14		Black
DNHS-A-310	310 141	1.35 34	310 5.64		Yellow
DNHS-A-400	400 181	1.35 34	400 7.24		Green
DNHS-A-510	510 231	1.35 34	510 9.24	Red	
DNHS-A-625	625 283	1.35 34	625 11.32	White	
DNHS-B-65	65 29	2.45 62	31 0.55	0.35 9	Brown
DNHS-B-85	85 39	2.45 62	40 0.74		White/Blk
DNHS-B-115	115 52	2.35 60	57 1.02		Silver
DNHS-B-150	150 68	2.35 60	75 1.33		Orange
DNHS-B-280	280 127	1.95 50	174 3.10		Green
DNHS-B-450	450 204	1.66 42	344 6.18		Red
DNHS-B-750	750 340	1.47 37	670 12.14	White	
DNHS-B-1000	1000 454	1.35 34	1000 18.16	Blue	
DNHS-1-1000	1000 454	1.40 36	1000 18.2	0.40 10	Black
DNHS-1-1350	1350 612	1.40 36	1350 24.5		Yellow
DNHS-1-1750	1750 794	1.40 36	1750 31.8		Black*
DNHS-1-2100	2100 953	1.40 36	2100 38.1		Yellow*
DNHS-1-2385	2385 1082	1.40 36	2385 43.3		Yellow**
DNHS-1-2650	2650 1202	1.40 36	2650 48.1		Red*
DNHS-1-2935	2935 1331	1.40 36	2935 53.2	Red**	
DNHS-2-2700	2700 1225	1.40 36	2700 49.0	0.40 10	Yellow
DNHS-2-3500	3500 1588	1.40 36	3500 63.5		Black*
DNHS-2-4200	4200 1905	1.40 36	4200 76.2		Yellow*
DNHS-4-5400	5400 2449	1.40 36	5400 98.0	0.40 10	Yellow
DNHS-4-7000	7000 3175	1.40 36	7000 127.0		Black*
DNHS-4-8400	8400 3810	1.40 36	8400 152.4		Yellow*
DNHS-4-9540	9540 4327	1.40 36	9540 173.1		Yellow**
DNHS-4-10600	10600 4808	1.40 36	10600 192.3		Red*
DNHS-4-11740	11740 5325	1.40 36	11740 213.0		Red**

PLAN VIEW OF HANGER LOCATIONS

TAG: _____
 UNIT: _____



SPECIFIED DEFLECTION

1:	6:
2:	7:
3:	8:
4:	9:
5:	10:
Sets Required:	