



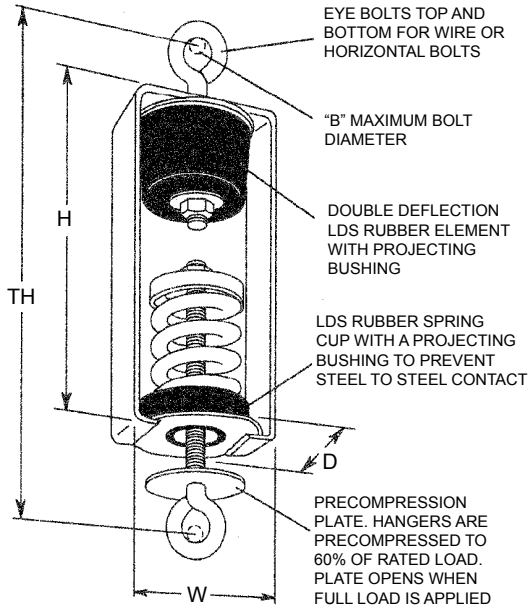
# MASON INDUSTRIES, Inc.

Manufacturers of Vibration Control Products  
 350 Rabro Drive 2101 W. Crescent Ave., Suite D  
 Hauppauge, NY 11788 Anaheim, CA 92801  
 631/348-0282 714/535-2727  
 FAX 631/348-0279 FAX 714/535-5738  
 Info@Mason-Ind.com Info@MasonAnaheim.com  
 www.Mason-Ind.com

JOB NAME \_\_\_\_\_  
 CUSTOMER \_\_\_\_\_  
 CUSTOMER P.O. \_\_\_\_\_  
 MASON M.I. \_\_\_\_\_  
 DWG. NO. \_\_\_\_\_

# WDNHS

1"(25mm)  
 Deflection  
 X,A & B  
 Spring Series  
 Ceiling Hangers



TH - Total height between bolt centers as installed

### TYPE WDNHS DIMENSIONS (mm)

Size Range	B	D	H	W	TH
WDNHS-X-23-210	10	64	140	73	184
WDNHS-A-12-25	10	70	171	83	235
WDNHS-A-41-95	10	70	171	83	235
WDNHS-A-45-625	10	70	171	83	235
WDNHS-B-65-750	13	100	229	121	279

### TYPE WDNHS DIMENSIONS (inches)

Size Range	B	D	H	W	TH
WDNHS-X-23-210	3/8	2 1/2	5 1/2	2 7/8	7 1/4
WDNHS-A-12-25	3/8	2 3/4	6 3/4	3 1/4	9 1/4
WDNHS-A-41-95	3/8	2 3/4	6 3/4	3 1/4	9 1/4
WDNHS-A-45-625	3/8	2 3/4	6 3/4	3 1/4	9 1/4
WDNHS-B-65-750	1/2	4	9	4 3/4	11

### TYPE WDNHS RATINGS

Size	Rated Capacity		Rated Defl. <sup>†</sup>		Spring Constant <sup>††</sup>		Avg. Defl. LDS Rubber (in) (mm)	Spring Color/Stripe
	(lbs)	(kg)	(in)	(mm)	(lbs/in)	(kg/mm)		
WDNHS-X-23	23	10	1.50	38	18	0.3	0.20	Brown
WDNHS-X-33	33	15	1.30	33	30	0.5		Red
WDNHS-X-54	54	25	1.40	36	45	0.8		White
WDNHS-X-76	76	35	1.22	31	73	1.3		Black
WDNHS-X-113	113	51	1.20	31	113	2.0		Yellow
WDNHS-X-130	130	59	1.20	31	130	2.3		Purple
WDNHS-X-175	175	79	1.20	31	175	3.1		Silver
WDNHS-X-210	210	95	1.20	31	210	3.8	Blue	
WDNHS-A-12	12	5	1.35	34	12	0.2	0.35	Red
WDNHS-A-18	18	8	1.35	34	18	0.3		Gray
WDNHS-A-25	25	11	1.35	34	25	0.4		Orange
WDNHS-A-41	41	19	1.53	39	35	0.6		Pink
WDNHS-A-56	56	25	1.49	38	49	0.9		Black
WDNHS-A-73	73	33	1.41	36	69	1.2		Tan
WDNHS-A-95	95	43	1.36	35	94	1.7		Green
WDNHS-A-45	45	20	1.95	50	28	0.5	0.35	Blue
WDNHS-A-75	75	34	1.85	47	50	0.9		Orange
WDNHS-A-125	125	57	1.68	43	94	1.7		Brown
WDNHS-A-200	200	91	1.50	38	174	3.1		Black
WDNHS-A-310	310	141	1.35	34	310	5.5		Yellow
WDNHS-A-400	400	182	1.35	34	400	7.2		Green
WDNHS-A-510	510	232	1.35	34	510	9.1		Red
WDNHS-A-625	625	284	1.35	34	625	11.2	White	
WDNHS-B-65	45	30	2.45	62	31	0.6	0.35	Brown
WDNHS-B-85	75	39	2.45	62	40	0.7		White/Black
WDNHS-B-115	125	52	2.35	60	57	1.0		Silver
WDNHS-B-150	200	68	2.35	60	75	1.3		Orange
WDNHS-B-280	310	127	1.95	50	174	3.1		Green
WDNHS-B-450	400	204	1.66	42	344	6.1		Red
WDNHS-B-750	510	341	1.47	37	670	12.0		White

<sup>†</sup> includes double deflection LDS rubber element

<sup>††</sup> applies to spring only.

All springs have additional travel to solid equal to 50% of the rated deflection. Hanger elements have straight line deflection curves.

MASON LAYOUT DRAWING NO. \_\_\_\_\_

SIZE	QTY.	TAG